

ISR-25 RECTANGULAR IGLOO



Contenur's crane-lift igloos have been designed so they fit perfectly into the urban environment, with a wide range of customised solutions for each type of waste collection: glass, paper, plastics, etc.

They are manufactured from solid-coloured high density linear polyethylene and are stabilised against the combined effects of UV radiation and water, making this a low maintenance product which is highly resistant to atmospheric conditions.

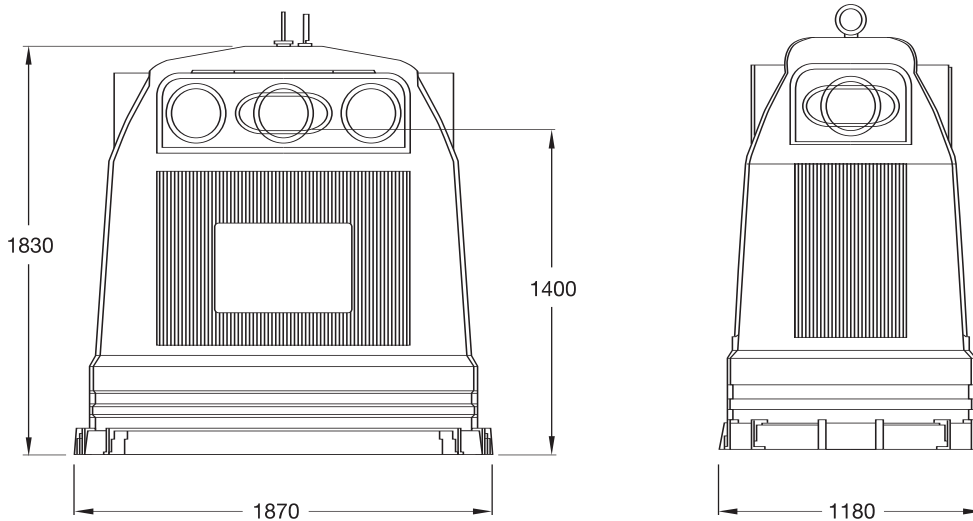
Contenur offers four different crane lift Igloo models: the

ISC-30/25 (2500 and 3000 litre), the ISR-25 (2500 litre), the ISR-3200 (3200 litre) and the ISR-32V (3200 litre).

Contenur designs and manufactures its containers in accordance with Quality Management certification ISO 9001, and the Environmental Management certification ISO 14001.

The Contenur Group guarantees the quality of all its products and units, and on client request can also offer a complete product maintenance programme. For more information, please contact our Technical Sales network.

ISR-25 RECTANGULAR IGLOO



TECHNICAL SPECIFICATIONS

NOMINAL CAPACITY	2,500 litres	HEIGHT OF OPENING	1400 mm
TOTAL WEIGHT	120 kg	DIAMETER OF OPENING	
NOMINAL LOAD	760 kg		205, 250 ó 150 x 410 mm
MAXIMUM DIM.	1,87 x 1,18 x 1,83 high m		

GENERAL SPECIFICATIONS

- Rotationally moulded from a single piece of solid-coloured high density linear polyethylene and stabilised against the combined effects of UV radiation and water, it is highly resistant to atmospheric conditions.

- Designed to perfectly fit into the urban environment.
- Smooth surfaces.
- Colour stability.
- Total corrosion resistance.
- Designed to have a small footprint and the minimum environmental impact.
- Customised containers for each type of waste collection: glass, paper, plastics, etc.
- Double hook or Kinshofer crane lifting system.
- Body with a rectangular base, measuring 1,87 or 1,18 m x 1,83 m.
- Exclusively-designed Contenur outline brace, with a double dome on the upper part, making the assembly robust and hard-wearing.

- Optimum size apertures to accommodate each type of waste, located at a maximum height of 1,40 m from the ground, to facilitate user access. They may be circular (205 or 250 mm) or rectangular (150 x 410 mm), with a reinforced exterior and front overhang to prevent water ingress.

- Different height openings can be incorporated into the containers to guarantee accessibility to all.

- Discharge doors manufactured from rotationally-moulded high density polyethylene (same as the body), with a double layer system for added strength. They pivot laterally and their wide, hinged opening facilitates unhindered emptying into the vehicle.

- The lifting/ emptying system is corrosion resistant steel and is located on the upper part of the container.

- The following items are available upon request: large size apertures with a lock, silk screen graphics incorporated onto the container during the manufacturing process, personalised colour, reflective strips etc.