

CONTAINERS C-240



Contentur offers a range of strong, hard-wearing two-wheeled containers with an intelligent, innovative design. They are manufactured from high-density polyethylene and produced using environmentally-friendly materials. Available in a wide range of colours and sizes, they have been specially designed to overcome the problems caused by large waste collection vehicles manoeuvring in areas with limited access, or to adapt to available space or accommodate large volumes of waste.

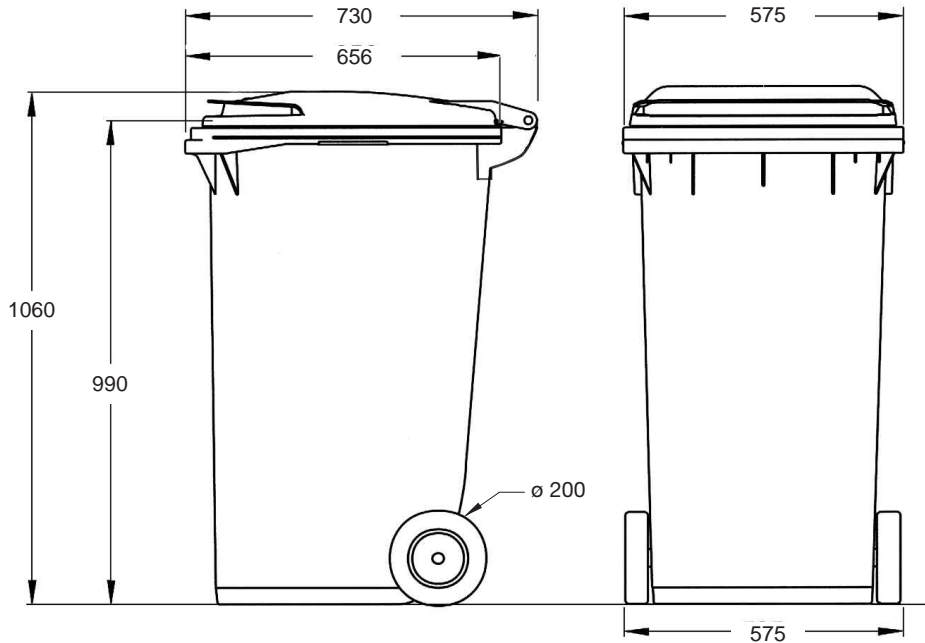
Two-wheeled containers are available in five different models: C-90, C-120, C-140, C-240 and C-360 are all

ideal for the various types of selective waste collection: paper and cardboard, glass, plastic and packaging, etc.

Contentur designs and manufactures its containers to procedures based on ISO 9001, and the Environmental Management System also has ISO 14001 Quality Management certification.

The Contentur Group guarantees the quality of all its products, and on request can also offer a complete product maintenance programme. For more information, please contact our Technical Sales network.

CONTAINERS C-240



TECHNICAL SPECIFICATIONS

CAPACITY	240 litres	NOMINAL LOADING	96 kg
WEIGHT	13 kg	WHEEL DIAMETER	200 mm

GENERAL SPECIFICATIONS

- The body and lid are injection moulded in solid-coloured high-density polyethylene stabilised against the combined effects of UV radiation and water.
- High-density polyethylene makes the product highly resistant to atmospheric conditions and gives it great stability against fluctuations in temperature.
- Manufactured using environmentally-friendly recyclable materials.
- There are no heavy metals in the pigments.
- Stable colours and total corrosion resistance.
- Integrated sound-proofing system in the lid.
- The container has an integrated handle for easy use.
- 200 mm diameter wheels with polypropylene rims and solid rubber tyres on an electro-galvanised axle.
- DIN or AFNOR standard lifting systems.
- Ideal for different types of waste collection: paper and cardboard, glass, packaging, organic matter, etc.
- Openings with sizes and features specially designed to accommodate each type of waste, making them easy to use.
- Can be equipped with a range of accessories providing real solutions to every requirement:
 - pedal-operated lid opening
 - reflective strips
 - lock
 - side handle
- Recess for electronic chips.
- Available in a wide range of colours.
- Customisation of body with silk screen or thermal transfer graphic-maximum area 280 x 290 mm.
- Customisation of lid with thermal transfer graphic-maximum area 230 x 45 mm.
- Customisation of lid with an embossed logo-maximum area 340 x 220 mm.
- All models suitable for use with standard collection and cleaning systems.
- CE Marking with sound power level indicated in accordance with European Directive 2000/14/EC. 72,4 db.
- Product Approval Certificate awarded by TÜV Product Service GmbH in accordance with European Standard EN 840.
- UN certificate for the transportation of hazardous goods.
- AENOR Quality Certificate.

